

**Frozen  
Frozen granita, creams and soft-ice  
cream dispenser with 1 bowl and touch  
screen, UK plug**

ITEM # \_\_\_\_\_

MODEL # \_\_\_\_\_

NAME # \_\_\_\_\_

SIS # \_\_\_\_\_

AIA # \_\_\_\_\_



562528 (GTITR290)

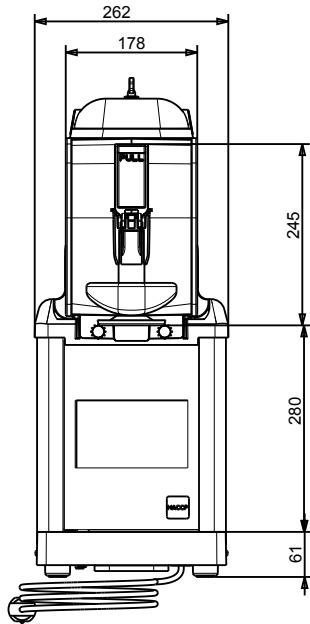
\* NOT TRANSLATED \*

## Main Features

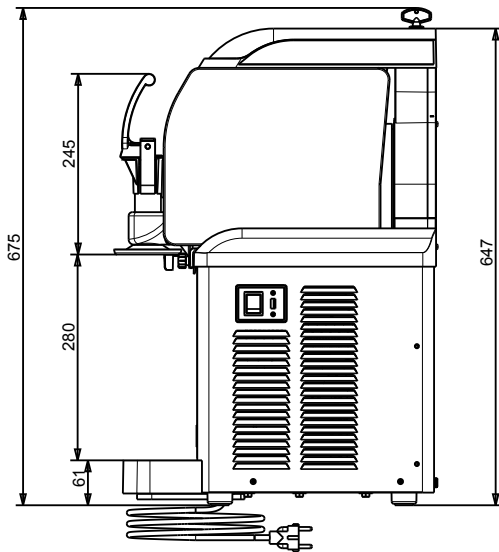
- Can dispense up to 5 products among soft ice cream, frozen yogurt, chilled coffee cream, sorbet or slush.
- Can be used in specialised ice cream shops to dispense products specifically conceived for particular customer categories, like celiac or people who are lactose intolerant. Producing ice-cream with this equipment prevents any contamination, as the bowls d
- Ideal for bars, restaurants, hotels, cafeterias and catering companies for the production of delicious desserts and chilled specialties.
- The ITANK™ Technology prevents ice accumulation on the outer side of the bowl.
- Menu is available in Italian and English, but other languages can be programmed as well.
- Customizable touch screen display.
- Easy to use thanks to the adjustable push button control panel: when pressing it the rotation spees raises and the product is pushed out easily.

APPROVAL: \_\_\_\_\_

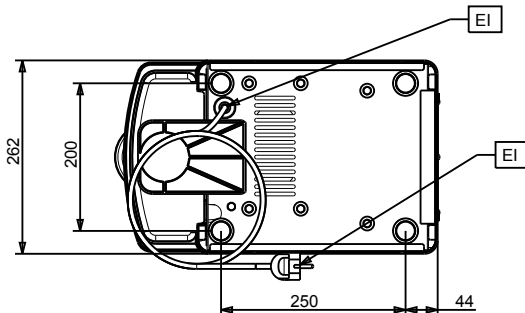
Front



Side



Top



**Electric**

Supply voltage:

562528 (GT1TR290) 220-240 V/1 ph/50 Hz

Electrical power max.:

0.385 kW

**Key Information:**

External dimensions, Width: 260 mm

External dimensions, Depth: 425 mm

External dimensions, Height: 650 mm

Net weight: 28 kg

**Sustainability**

Refrigerant type: R290

Refrigerant weight: 62 g